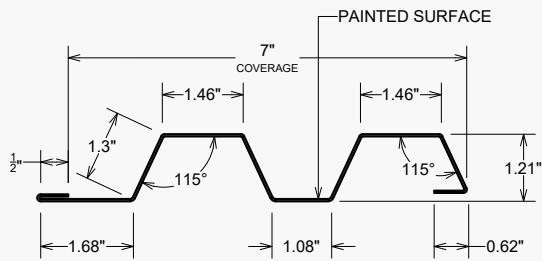


SELECTA CLAD 65 PROFILE CUSTOM BRAKE FORMED METAL CLADDING

NOTES:

1. Prepainted Steel cladding available in 22ga - 30ga.
2. The CSSBI (Canadian Sheet Steel Building Institute) sheet steel fact sheet 13 describes "Oil Canning" as a phenomenon that is associated with all thin sheet metal products and occurs in the wide flat portions of the cladding profile. Visual oil canning resulting from a naturally occurring physical property of flat sheet steel products cannot be a cause for rejection.
3. Contact the Sales Department for availability of Colour Finishes and Gauges.
4. Steel cladding profiles are fabricated in specific lengths due to material limitations, please contact sales department cladding length availability.



PLEASE NOTE: ALL DIMENSIONS ARE IN INCHES

PROPERTY	SMP COATING TEST METHOD	SMP COATING SPECIFICATION
DRY FILM THICKNESS	ASTM D 1400-94 ASTM D 1005-95	0.75 - 1.85 Mil 0.90 - 1.15 Mil
SPECULAR GLOSS	ASTM D 523-89 @ 60°	20 - 35
HUMIDITY RESISTANCE	ASTM D 2247 (100% RELATIVE HUMIDITY @ 95°)	PASSES 1000 hrs.
SALT SPRAY	ASTM B 117 (5% SALT SPRAY @ 95°)	PASSES 1000 hrs.
ACID POLLUTANT RESISTANCE	ASTM D 13808-87 (20% SULFURIC ACID 18 hrs., 10% MURIATIC ACID 15 MINS.)	NO EFFECT
GRAFFITI RESISTANCE	CLEANABILITY OF DEFACED PANELS (SPRAY PAINT, PENS, ETC.)	NO EFFECT
ABRASION RESISTANCE	ASTM D 968-93 (TO EXPOSE 5/32" OF SUBSTRATE)	25 - 40 LITRES
CHALK RESISTANCE	ASTM D 4214 (FLORIDA EXPOSURE @ 45° S)	VERTICAL: RATING NOT < 8 @ 10 yrs. NON-VERTICAL: RATING NOT < 7 @ 10 yrs.
COLOUR RETENTION	ASTM 2244 - HUNTER UNITS (FLORIDA EXPOSURE @ 45° S)	VERTICAL: NOT > 5Δ HUNTER UNITS @ 10 yrs. NON-VERTICAL: NOT > 6Δ HUNTER UNITS @ 10yrs.
ADHESION	ASTM D 3359-95a (REVERSE IMPACTED $\frac{1}{16}$ " CROSSHATCHED)	NO ADHESION LOSS
PENCIL HARDNESS	ASTM D 3363	H-2H (NCCA II-12)
REVERSE IMPACT	ASTM D 2794-93 (9000 x INCHES OF METAL THICKNESS)	PASSED - NO PICK OFF WITH SCOTCH #610 TAPE
FLEXIBILITY T-BEND	ASTM D 4145-83 (NO CRACK, NO PICK-OFF)	2T-4T BENDS, NO LOSS OF ADHESION
FILM CURE	ASTM D 5402 (≥ 100 DOUBLE MEK RUBS)	PASSES
FILM RATING	E 84	FUEL CONTRIBUTED ZERO, PASSES
WEATHEROMETER	D 6695	PASSES 3000 hrs.
UV EXPOSURE	D 4587	PASSES 1000 hrs.
FILM INTEGRITY		40 YEARS - LIMITED WARRANTY

Edmonton Office:
18039-114 Avenue,
Edmonton, Alberta T5S 1T8
PH: (780)-481-1776
FX: (780)-481-2818

Calgary Office:
2611-58 Avenue,
Calgary, Alberta T2C 0B4
PH: (403)-215-4040
FX: (403)-215-4044



SELECTA CLAD 65 PROFILE CUSTOM BRAKE FORMED METAL CLADDING

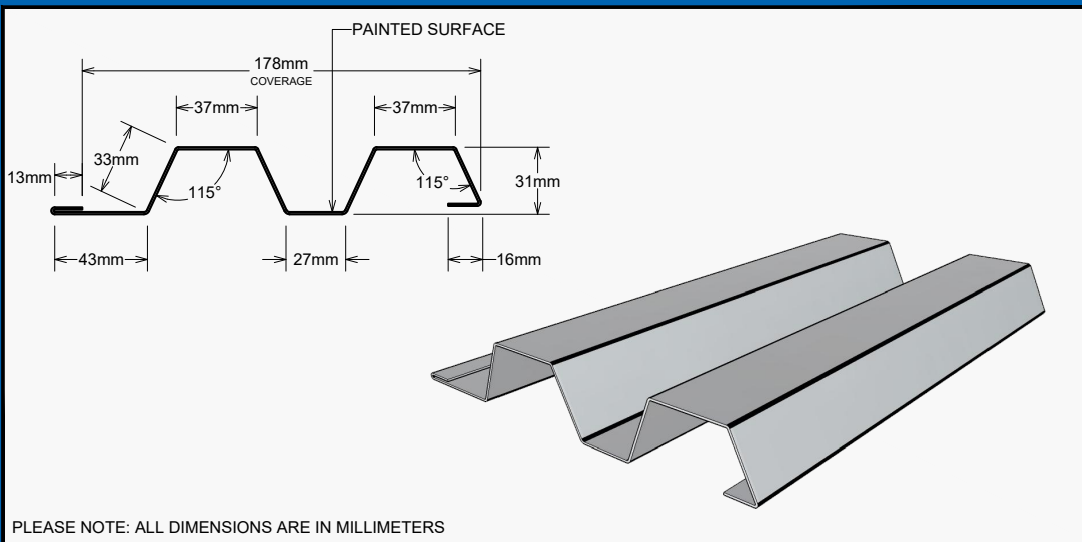
NOTES:

1. Prepainted Steel cladding available in 22ga - 30ga.

2. The CSSBI (Canadian Sheet Steel Building Institute) sheet steel fact sheet 13 describes "Oil Canning" as a phenomenon that is associated with all thin sheet metal products and occurs in the wide flat portions of the cladding profile. Visual oil canning resulting from a naturally occurring physical property of flat sheet steel products cannot be a cause for rejection.

3. Contact the Sales Department for availability of Colour Finishes and Gauges.

4. Steel cladding profiles are fabricated in specific lengths due to material limitations, please contact sales department cladding length availability.



PLEASE NOTE: ALL DIMENSIONS ARE IN MILLIMETERS

PROPERTY	SMP COATING TEST METHOD	SMP COATING SPECIFICATION
DRY FILM THICKNESS	ASTM D 1400-94 ASTM D 1005-95	0.75 - 1.85 Mil 0.90 - 1.15 Mil
SPECULAR GLOSS	ASTM D 523-89 @ 60°	20 - 35
HUMIDITY RESISTANCE	ASTM D 2247 (100% RELATIVE HUMIDITY @ 95°)	PASSES 1000 hrs.
SALT SPRAY	ASTM B 117 (5% SALT SPRAY @ 95°)	PASSES 1000 hrs.
ACID POLLUTANT RESISTANCE	ASTM D 13808-87 (20% SULFURIC ACID 18 hrs., 10% MURIATIC ACID 15 MINS.)	NO EFFECT
GRAFFITI RESISTANCE	CLEANABILITY OF DEFACED PANELS (SPRAY PAINT, PENS, ETC.)	NO EFFECT
ABRASION RESISTANCE	ASTM D 968-93 (TO EXPOSE 5/32" OF SUBSTRATE)	25 - 40 LITRES
CHALK RESISTANCE	ASTM D 4214 (FLORIDA EXPOSURE @ 45° S)	VERTICAL: RATING NOT < 8 @ 10 yrs. NON-VERTICAL: RATING NOT < 7 @ 10 yrs.
COLOUR RETENTION	ASTM 2244 - HUNTER UNITS (FLORIDA EXPOSURE @ 45° S)	VERTICAL: NOT > 5Δ HUNTER UNITS @ 10 yrs. NON-VERTICAL: NOT > 6Δ HUNTER UNITS @ 10yrs.
ADHESION	ASTM D 3359-95a (REVERSE IMPACTED $\frac{1}{4}$ " CROSSHATCHED)	NO ADHESION LOSS
PENCIL HARDNESS	ASTM D 3363	H-2H (NCCA II-12)
REVERSE IMPACT	ASTM D 2794-93 (9000 x INCHES OF METAL THICKNESS)	PASSED - NO PICK OFF WITH SCOTCH #610 TAPE
FLEXIBILITY T-BEND	ASTM D 4145-83 (NO CRACK, NO PICK-OFF)	2T-4T BENDS, NO LOSS OF ADHESION
FILM CURE	ASTM D 5402 (\geq 100 DOUBLE MEK RUBS)	PASSES
FILM RATING	E 84	FUEL CONTRIBUTED ZERO, PASSES
WEATHEROMETER	D 6695	PASSES 3000 hrs.
UV EXPOSURE	D 4587	PASSES 1000 hrs.
FILM INTEGRITY		40 YEARS - LIMITED WARRANTY

Edmonton Office:
18039-114 Avenue,
Edmonton, Alberta T5S 1T8
PH: (780)-481-1776
FX: (780)-481-2818

Calgary Office:
2611-58 Avenue,
Calgary, Alberta T2C 0B4
PH: (403)-215-4040
FX: (403)-215-4044

